

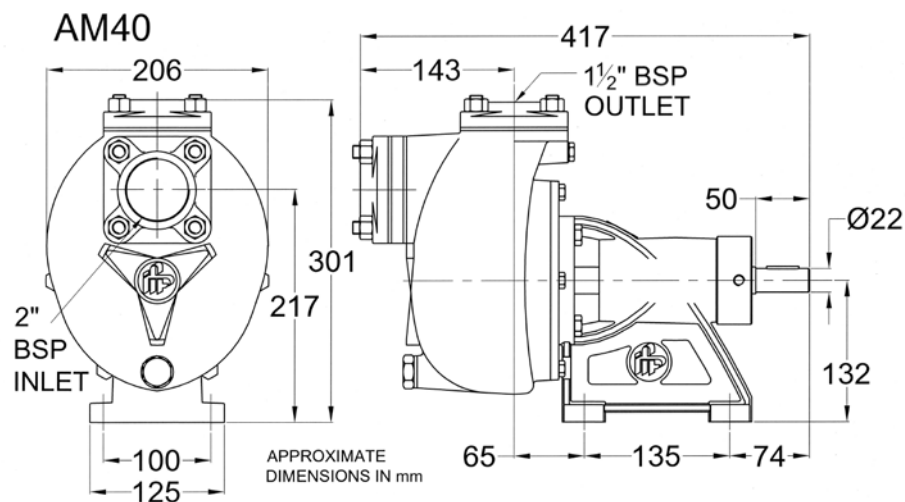
**PERFORMANCE**

Model	Maximum flow rate			Maximum head	
	l/min	cu.m/hr	gall/min	metres	feet
<b>AM40</b>	441	26.5	97	27	88

Maximum power absorbed 2.5kW at 3000rpm

**DIMENSIONS IN MM (APPROX.)**

**WEIGHT: 25kg**



**MATERIALS OF CONSTRUCTION**

Pump casing	bronze
Impeller	bronze
Port counterflanges	Bronze
Shaft	stainless steel AISI316
Bearing housing	cast iron
Pump head bolts	stainless steel
O-ring static seal	nitrile rubber

Pump performance and specification are subject to alteration without notice

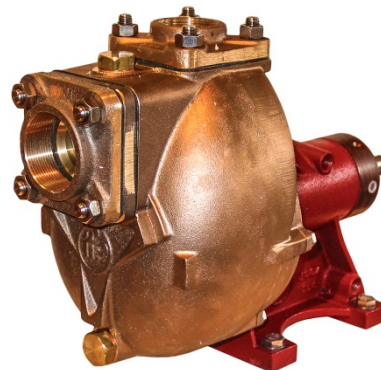
**AVAILABLE 'A' series CLUTCHES** (ask for a data sheet)

Clutch Type	Pulley Pitch Dia	Pulley Belt Section	No of Belts	FP Code
MANUAL	117mm	B	2	<b>FP-94-8030611</b>
MANUAL	140mm	B	2	<b>FP-94-8050611</b>
24v dc	152mm	SPB	1	<b>FP-94-8110427</b>
24v dc	145mm	A	2	<b>FP-94-8130427</b>

**FP PUMPS**

**AM40**

**1 1/2" BRONZE SELF-PRIMING CENTRIFUGAL PUMP**



- \* corrosion-resistant bronze body & impeller, with stainless steel shaft
- \* self-priming up to 4m
- \* available with clockwise or anti-clockwise rotation – please specify
- \* carbon-ceramic mechanical shaft seal

**BRONZE PUMPS for SEAWATER**

Xylem Water Solutions UK Ltd  
 Bingley Road  
 Hoddesdon  
 Hertfordshire • EN11 0BU • UK

Tel: +44 (0)1462 480380  
 Fax: +44 (0)1462 482422  
 mail@cleghorn.co.uk  
 www.jabscoshop.com

